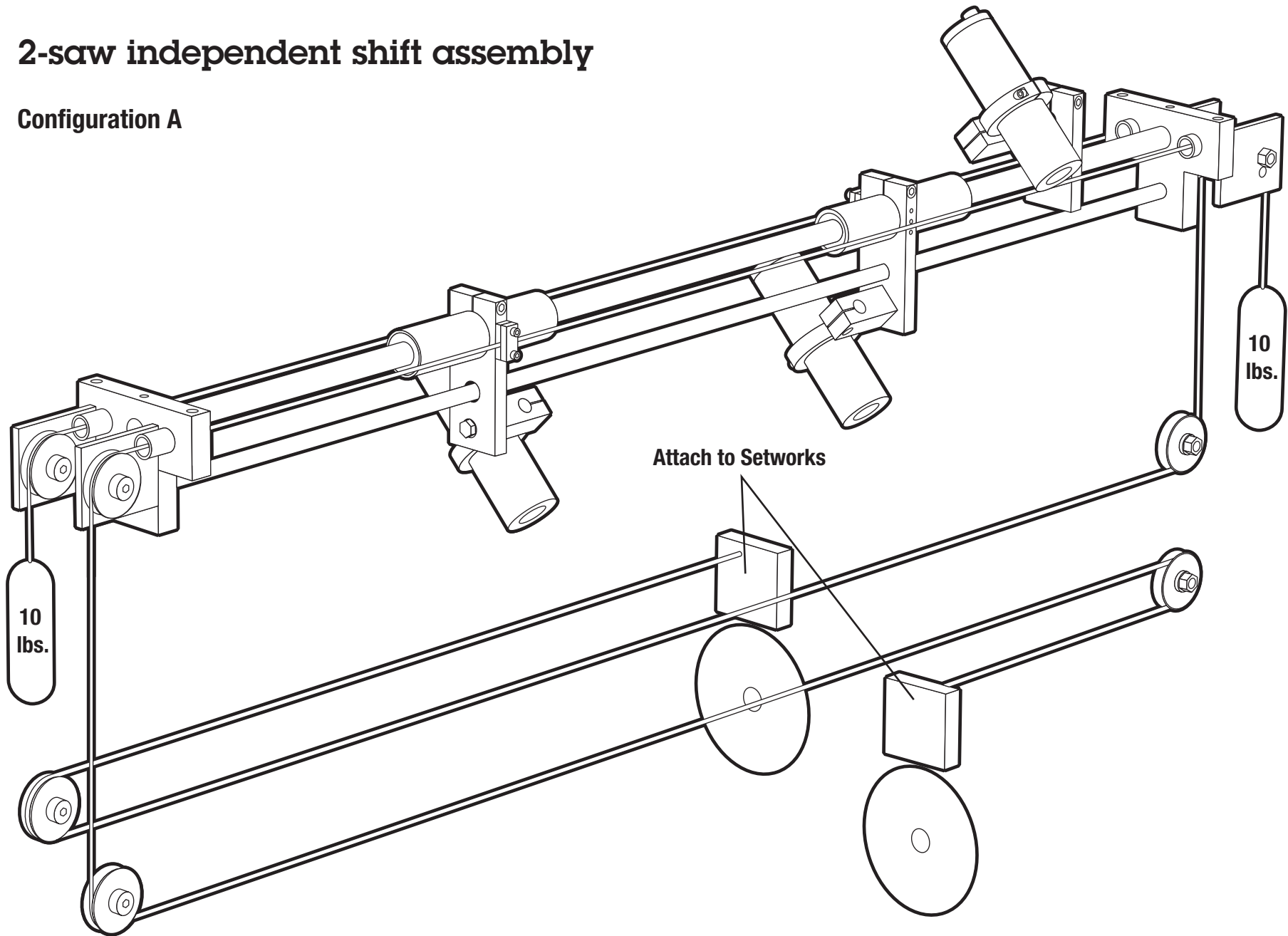


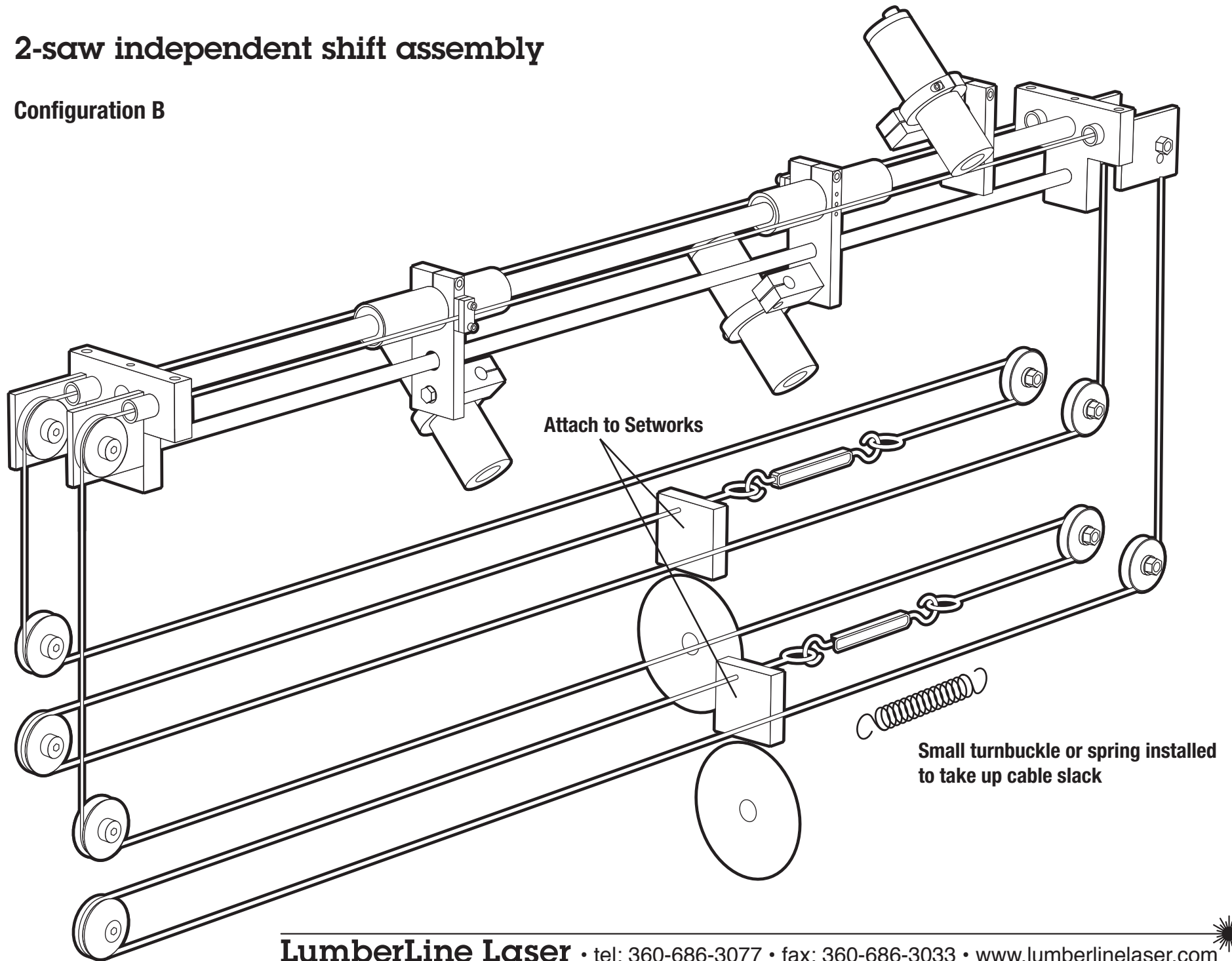
# 2-saw independent shift assembly

## Configuration A



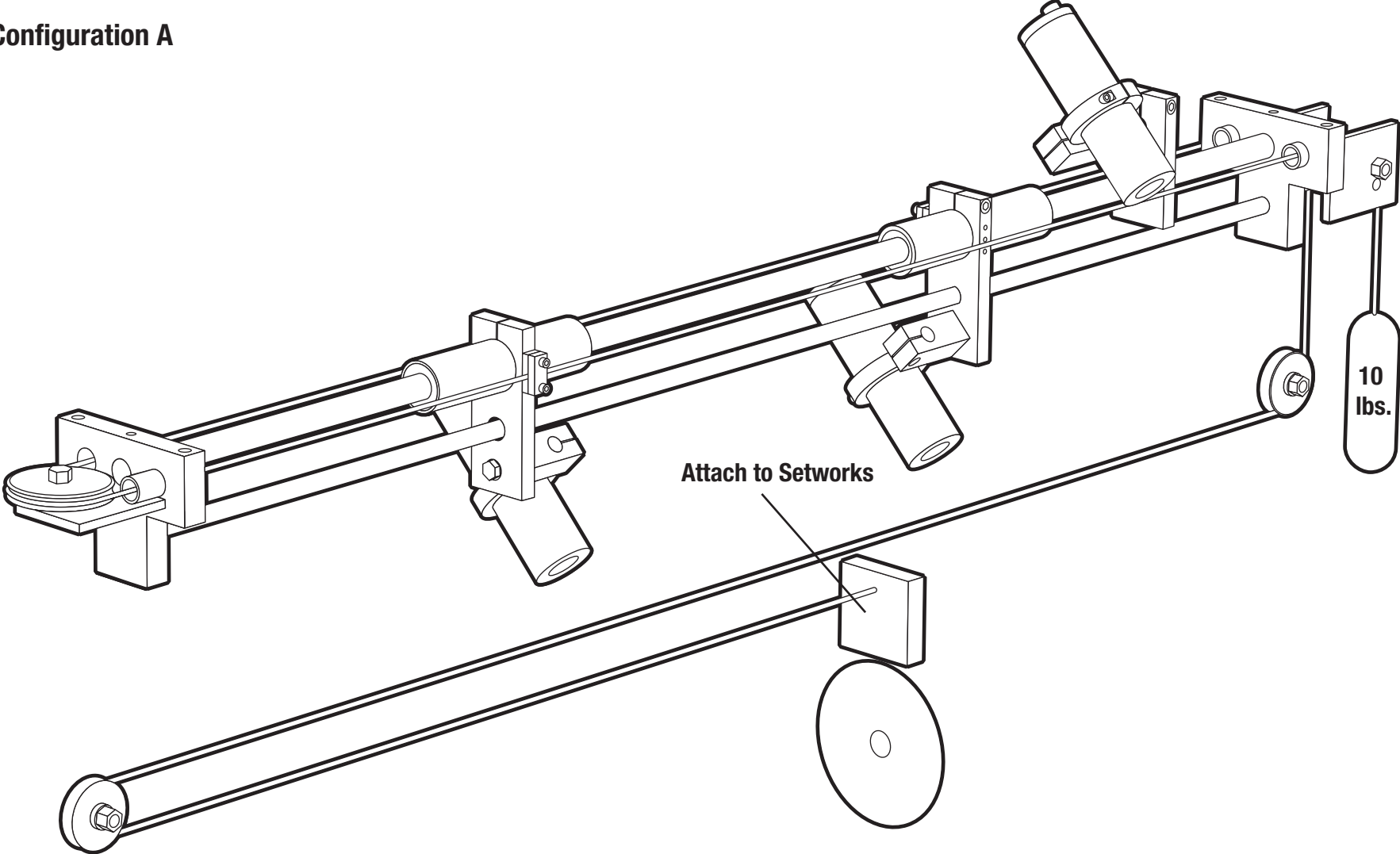
# 2-saw independent shift assembly

## Configuration B



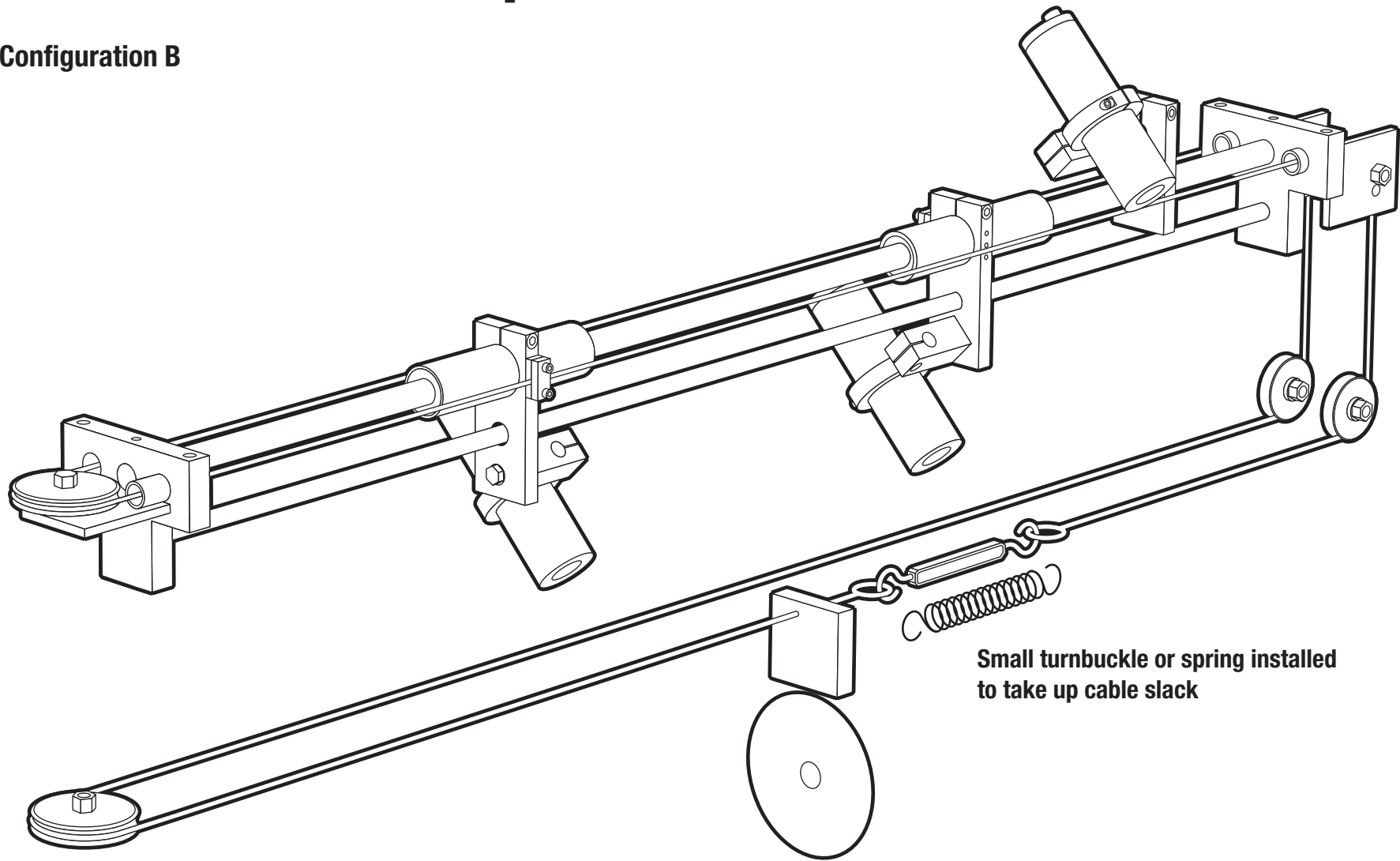
# 2-saw unison shift assembly

## Configuration A



## 2-saw unison shift assembly

### Configuration B



Small turnbuckle or spring installed  
to take up cable slack

