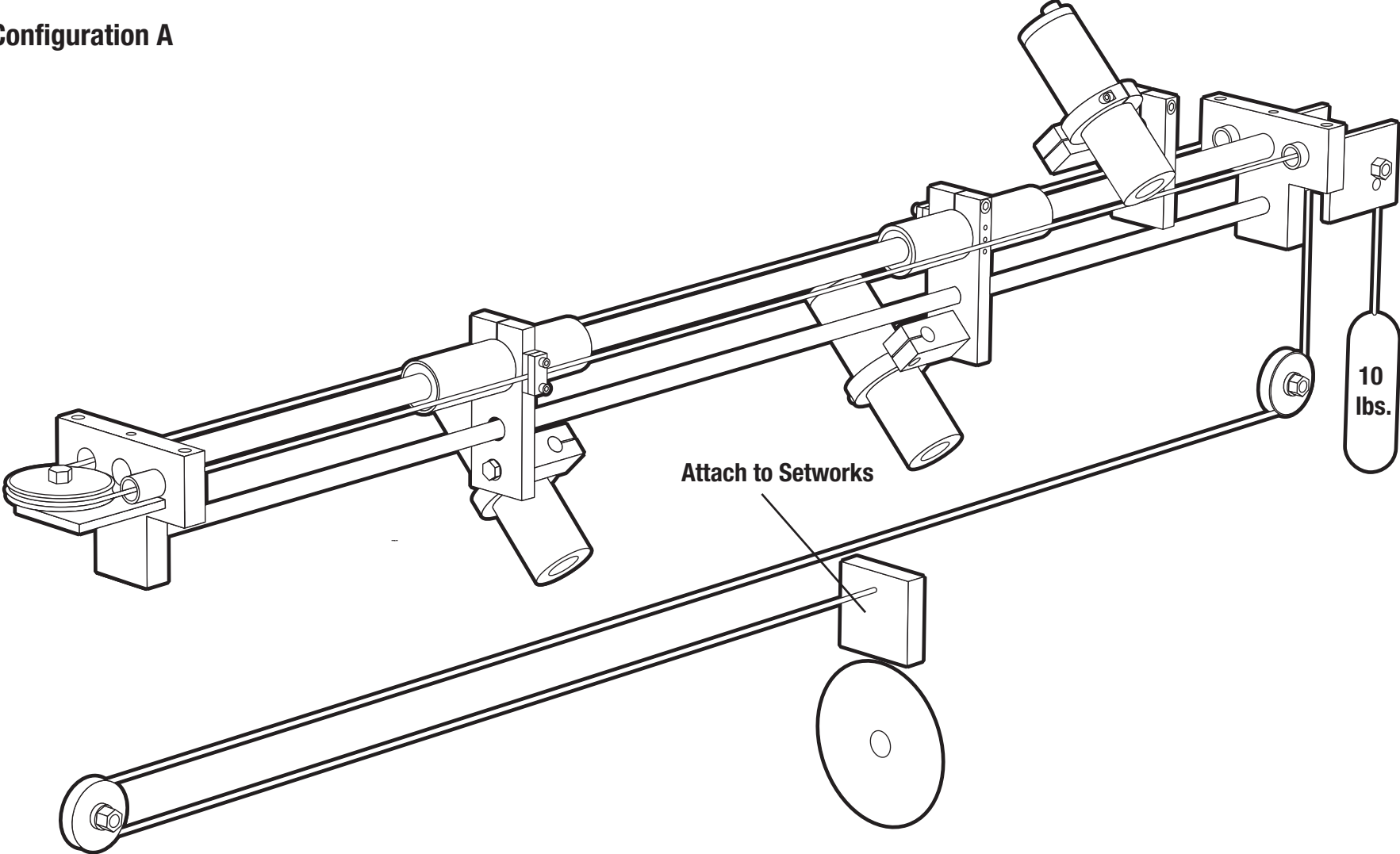


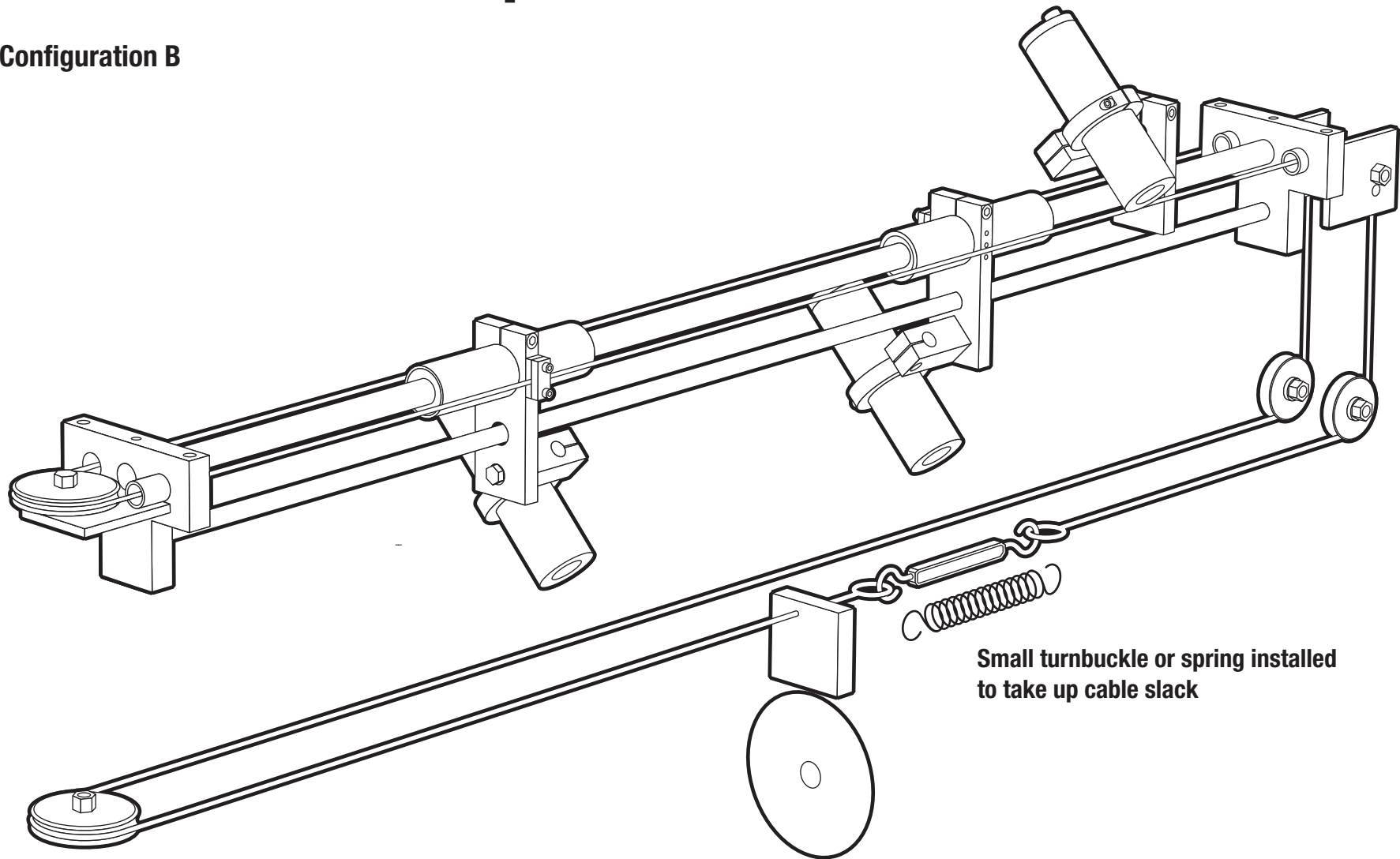
2-saw unison shift assembly

Configuration A



2-saw unison shift assembly

Configuration B



Small turnbuckle or spring installed
to take up cable slack

