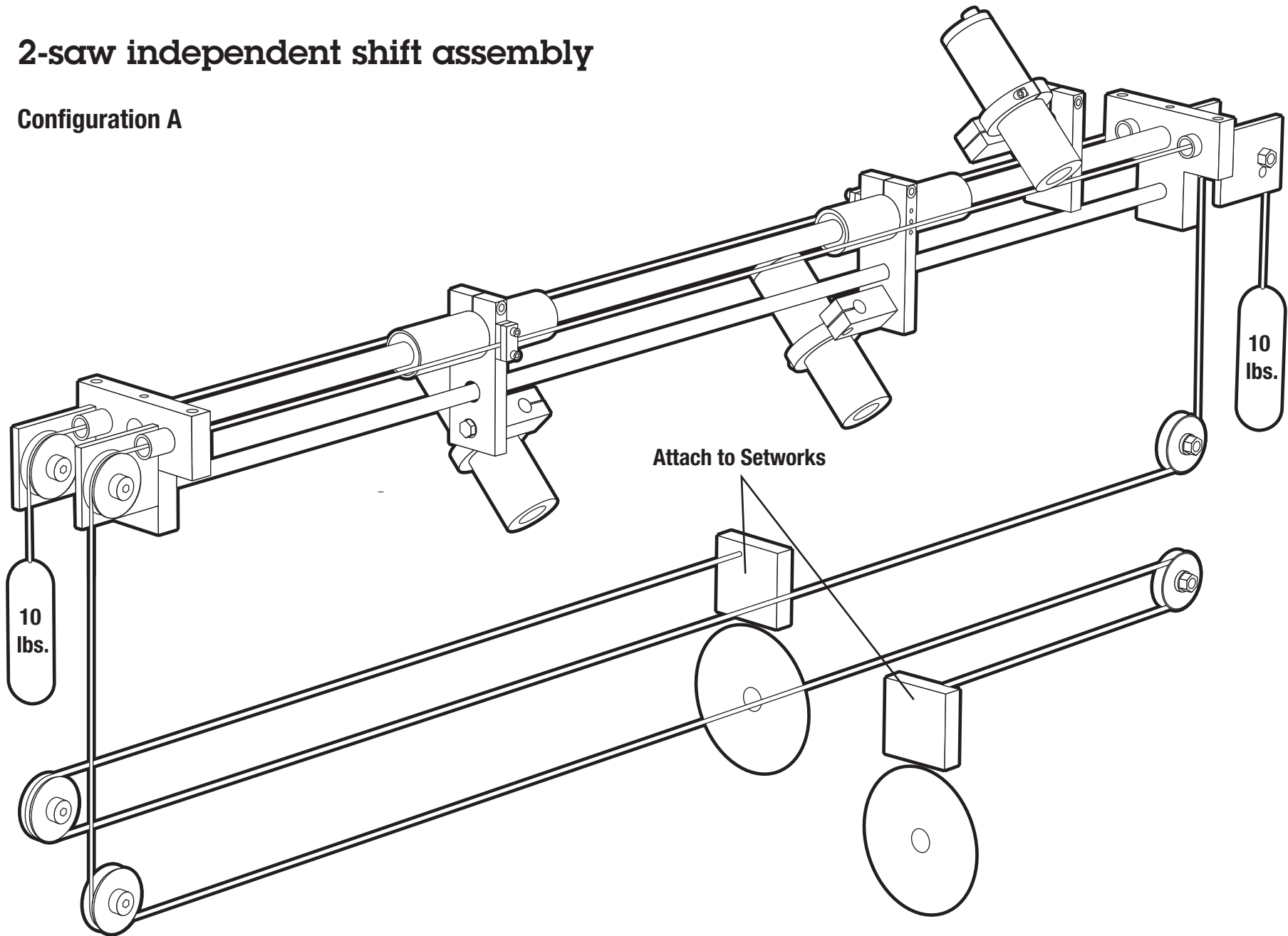


# 2-saw independent shift assembly

## Configuration A



# 2-saw independent shift assembly

## Configuration B

