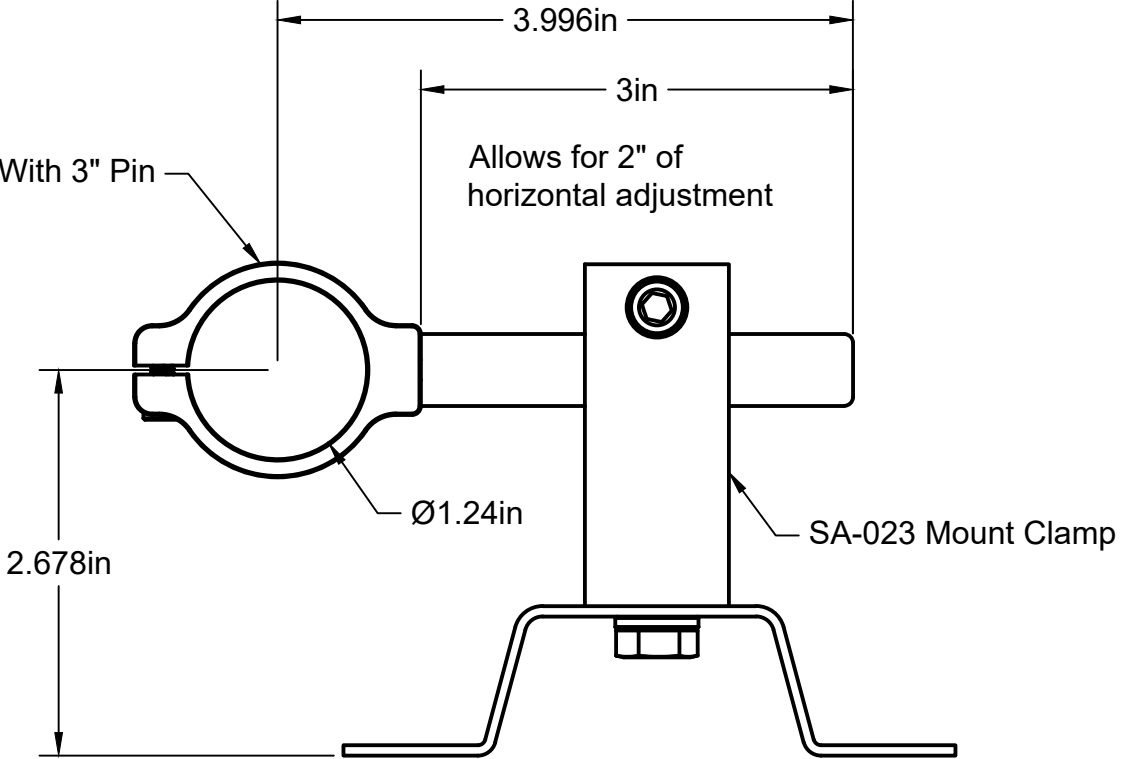


SA-036 Bracket Base

Ø.280 in 2 places for 1/4" bolt (Not Supplied)

SA-038 Ring Mount With 3" Pin



SA-008 Dimensions with Sub-Parts

www.lumberlinelaser.com