

The LV series lasers are designed specifically for applications that require a power source other than line voltages.

These lasers feature a built-in switching converter that boasts a wide range of low voltage AC & DC inputs (see specifications).

The LV series comes with an industry standard M12 A/coded sensor connection allowing it to be easily integrated into machine assemblies. We stock 2m, 5m & 10m cables that must be purchased separately.

Specifications

- Voltage: 4.5-36vDC
9-24vAC
- Amps: 100ma
- Wavelength: 635nm (Red)
520nm (Green)
- Connection: M12 (A-Coding)
- Size: 1.250" (31.75mm) Dia
3.875" (98mm) Length
- Fan Angle: 60 Degrees
- Warranty: 24 Month



Model Numbers

Numbers Correspond to the Power Level Required (See Specifications)

Power Levels

- 05mW (up to 6' line)
- 10mW (up to 15' line)
- 15mW (up to 18' line)
- 30mW (up to 24' line)
- 50mW (over 30' line)

RED

- L-05-LV
- L-10-LV
- L-15-LV
- L-30-LV

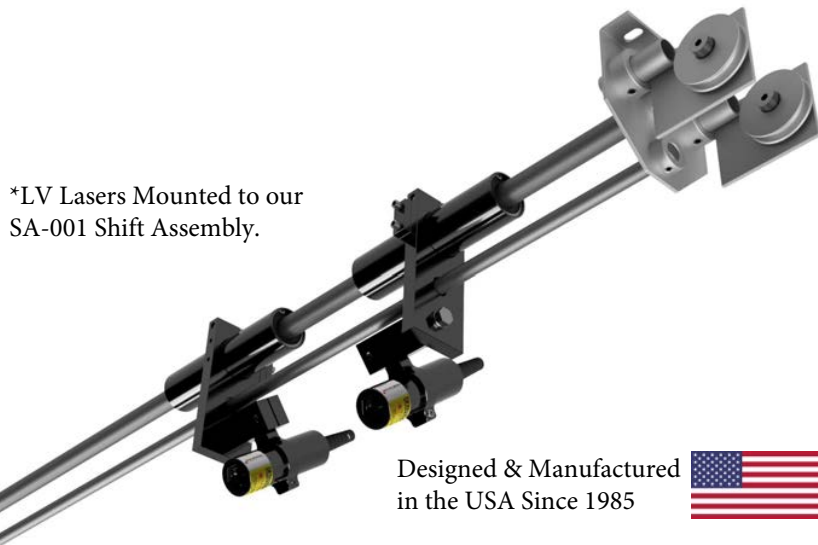
GREEN

- L-05-LV-GRN
- L-10-LV-GRN
- L-30-LV-GRN
- L-50-LV-GRN

Power Cables Available



- 2 Meter: PT# CBL-2M
- 5 Meter: PT# CBL-5M
- 10 Meter: PT# CBL-10M



*LV Lasers Mounted to our SA-001 Shift Assembly.

Designed & Manufactured
in the USA Since 1985

